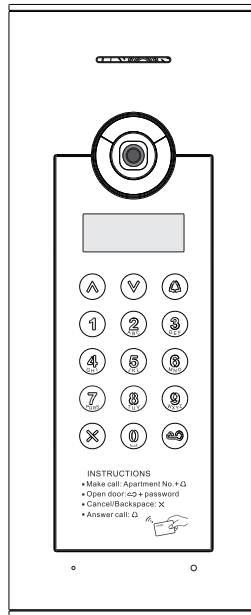


Secondary Entry Station A4-TA6VKC



USER MANUAL

CONTENTS

1. OVERVIEW	1
2. TECHNICAL SPECIFICATIONS	1
3. APPEARANCE.....	2
4. WIRING.....	2
4.1 System Diagram	2
4.2 Wiring Diagram	4
4.3 Ports	4
5. OPERATION.....	5
6. SETTINGS	5
6.1 Initial Settings	5
6.2 Settings of Secondary Entry Station	6
6.2.1 Enter the programming mode.....	6
6.2.2 Card settings.....	7
6.2.3 Password settings.....	8
6.2.4 Resident settings	9
6.2.5 Lock settings	10
6.2.6 Parameters settings	11
6.2.7 System information	12
6.2.8 Restore factory settings.....	12
7. DIMENSIONS & INSTALLATION	13
8. PACKING LIST	14
9. APPENDIX	14

1. OVERVIEW

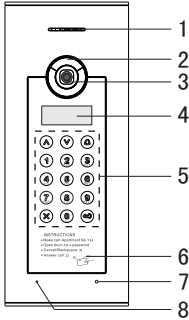
Secondary Entry Station A4-TA6VKC, usually installed at secondary entry, is an end-user device in the PSTN intercom system featuring video intercom, surveillance and access control. It is characterized by multiple functions and simple operation.

PSTN intercom system transmits audio signals over telephone line while transporting video signals through video cables. It consists of Secondary Entry Station (A4-TA6VKC), PSTN Video Selector (A4-SW4T), PBAX, Video Distributor and Indoor Phone (A4-E5CT).

2. TECHNICAL SPECIFICATIONS

Model	A4-TA6VKC
Camera	color
Light Compensation	IR light
Display	LCD (blue)
Keypad Backlight	blue
Voice Instruction	available
Body Induction	available
Card Type/Capacity	ID card / 1500 cards
Memory for Unlock Passwords	500 passwords
Memory for Directory	500 records
Total Digits in Apartment Number	2-6 digits
Apartment Number Prefix	NULL/ */ #
Unlock Delay	0.3s/ 3s/ 6s/ 9s
Lock Type	fail-secure/fail-safe
Power Output for Lock	DC12V/700mA (max.)
Exit Button	compatible
Input Voltage	DC13~14V
Working Current	≤1A
Ambient Temperature	-10℃~55℃
Ambient Humidity	40%RH~80%RH
Installation	pre-embed

3. APPEARANCE



NO.	ITEM	REFERENCE
1	Speaker	
2	IR Light Compensation	
3	Camera	Color
4	Display	LCD (blue)
5	Keypad Backlight	blue
6	Card Reader	ID card compatible
7	Body Inductor	
8	Microphone	

Fig. 1

4. WIRING

4.1 System Diagram

a. equipped with one Secondary Entry Station

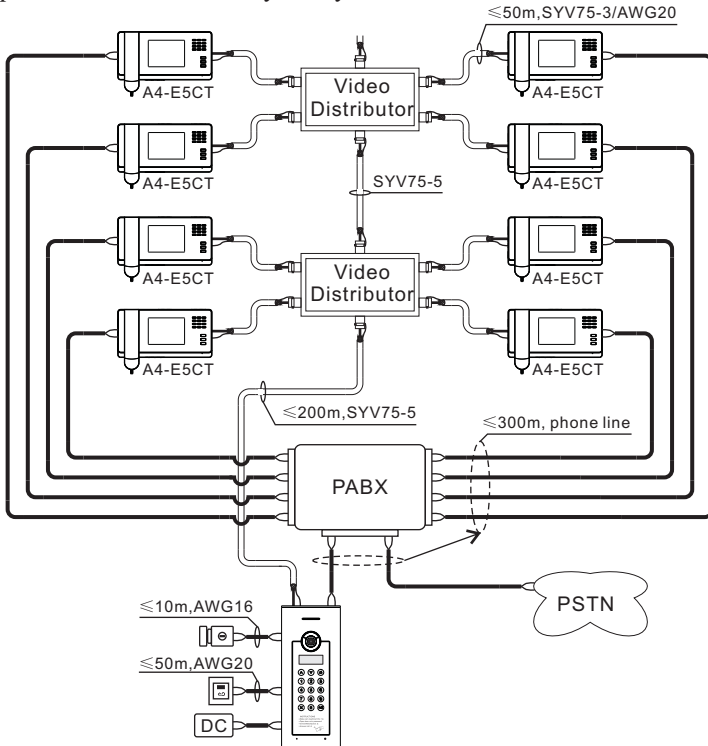


Fig. 2

b. equipped with four Secondary Entry Stations

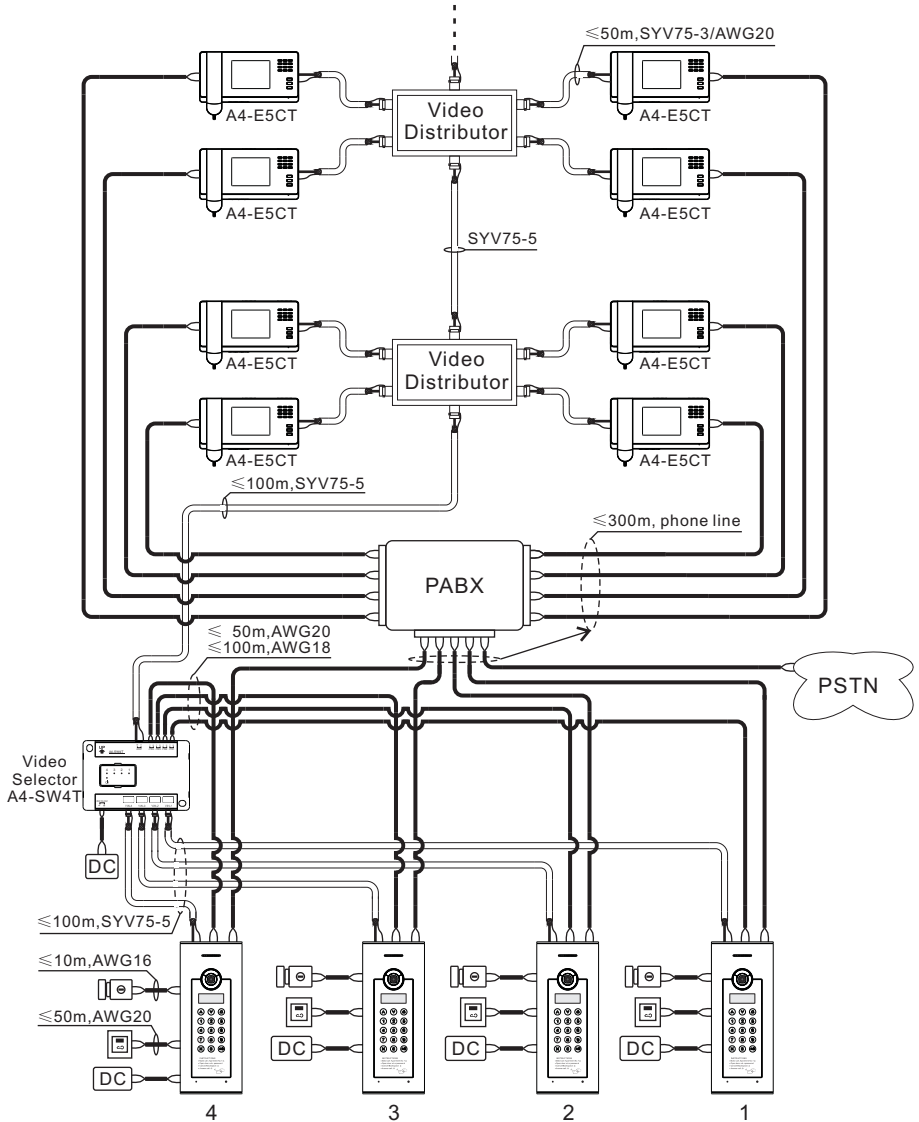


Fig. 3

Note:

When the system is equipped with 2-4 Secondary Entry Stations, Video Selector A4-SW4T is needed. You shall strictly follow the wiring diagram (Fig. 5) when connecting Secondary Entry Stations to Video Selector.

4.2 Wiring Diagram

a. one Secondary Entry Station

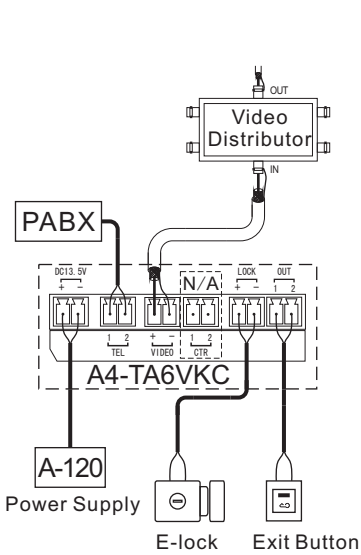


Fig. 4

b. 2~4 Secondary Entry Stations

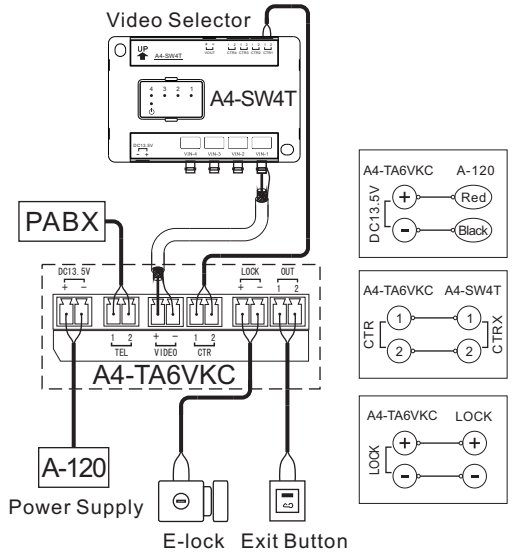


Fig. 5

4.3 Ports

NO.	PORT		DESCRIPTION	REFERENCE
1	DC13.5V	+	power (+)	polarity
2		-	power (-)	
3	TEL	1	phone terminal 1	nonpolarity
4		2	phone terminal 2	
5	VIDEO	+	video (+)	polarity
6		-	video (-)	
7	CTR	1	control terminal 1	polarity
8		2	control terminal 2	
9	LOCK	+	power (+) for E-lock	polarity
10		-	power (-) for E-lock	
11	OUT	1	Exit Button terminal 1	nonpolarity
12		2	Exit Button terminal 2	

5. OPERATION

1. Call a resident

When the Secondary Entry Station is in the standby status,

method A: Enter an apartment number and then press Δ .

method B: Press \wedge or \vee to select an apartment number or a resident and then press Δ .

*To scroll down the list, press and hold \wedge or \vee .

method C: Press and hold the key of a speed dial number till the information of corresponding apartment is displayed. Then press Δ .

(To learn how to set a speed dial number, see Step 22 on Page10)

2. Open the gate with password

Press \hookrightarrow and then enter a 6-digit unlock password.

3. Open the gate with card

Present a card to the card reader () on the Secondary Entry Station.

4. Open the gate with Exit Button

Press the Exit Button.

5. Open the gate remotely

Resident may press # on the Indoor Phone to release the gate during a talk with someone at the secondary entry.

*the use of the \times key: cancel a call/ end a call/ backspace

6. SETTINGS

* \hookrightarrow : return to previous step \times : backspace/ return to previous step

6.1 Initial Settings

You should carry out the following procedure after the Secondary Entry Station is powered on for the first time.

1

Wire the system and then electrify the devices.

2

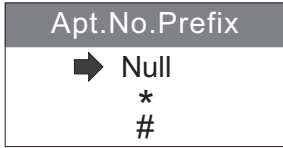
Apt.No.Length

\rightarrow 2
3
4

Set the length of apartment number:

Press \wedge or \vee to locate an item (2/3/4/5/6 digits) and then press Δ .

3

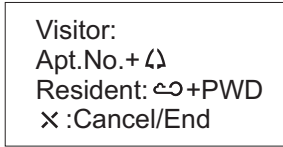


Set the prefix of apartment number:

Press ^ or v to locate an item (Null/*/#) and then press ↵.

* Then the station will enter the standby status.

4



The standby screen is displayed, showing how to make a call (for visitors) and how to open the door (for residents).

6.2 Settings of Secondary Entry Station

6.2.1 Enter the programming mode

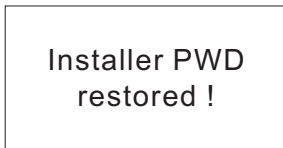
5



Press↻ five times, and then enter the 8-digit installer password (default: 38131800).

If you forget the password, you may restore the default password as below.

6



Restore the default installer password:

Cut off the power and then remove the back cover of the device to reveal the motherboard. Short the two pins marked with “SET” (see Fig.6). Electrify the device to restore the default password.

Turn off the device and disconnect the two pins. Then turn it back on.

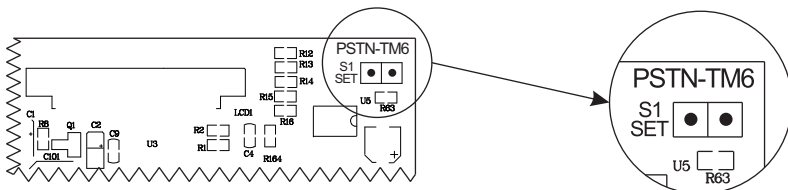


Fig. 6

7

Settings	
➔	Card Password Resident

Press ^ or v to locate an item and then press ↵.

* **After completing the initial settings, you need to add residents first.** (see Section 6.2.4 Resident Settings, PAGE9)

6.2.2 Card settings

After “**Card**” is selected in Step 7

8

Card	
➔	Add a Card Del a Card Empty

Press ^ or v to locate an item and then press ↵.

After “**Add a Card**” is selected in Step 8

9

Add a Card	
Apt. No. :	000
Card No. :	_____

Add card:

a. Press ^ or v to select an apartment; or press X to delete the number and enter a new one (press ↵ if the number entered contains less than 6 digits.).

b. Enter a 6-digit card number; or present a card to card reader.

Note: card(s) added after apartment number “00”/“000”/“0000”/“00000”/“000000” will not be attached to any apartment. Multiple cards can be attached to an apartment.

After “**Del a Card**” is selected in Step 8

10

Del a Card	
Apt. No. :	000
Card No. :	_____

Delete all cards attached to an apartment:

Press ^ or v to select an apartment; or press X to delete the number and enter a new one. (press ↵ if the number entered contains less than 6 digits.) Then press ↵.

Delete a card:

Enter a 6-digit card number; or present a card to card reader.

After “**Empty**” is selected in Step ⑧

⑪

Del all cards ?
↵ = YES ✕ = No

Delete all cards:

Press ↵.

*To cancel the operation, press ✕ instead.

6.2.3 Password settings

After “**Password**” is selected in Step ⑦

⑫

Password
➡ Add Unlock PWD
Del Unlock PWD
Empty

Press ^ or v to select an item and then press ↵.

After “**Add Unlock PWD**” is selected in Step ⑫

⑬

Add Unlock PWD
Apt. No.: 000
Password:
* _ _ _ _ _

Add unlock password:

a. Press ^ or v to select an apartment; or press ✕ to delete the number and enter a new one (press ↵ if the number entered contains less than 6 digits.).

b. Enter a 6-digit unlock password.

Note: Unlock password(s) added after apartment number “00”/“000”/“0000”/“00000”/“000000” will not be attached to any apartment. An apartment can only have one unlock password (most recently set).

After “**Del Unlock PWD**” is selected in Step ⑫

⑭

Del Unlock PWD
Apt. No. : _ _ _ _ _

Delete the unlock password attached to an apartment:

Enter an apartment number and then press ↵.

After “**Empty**” is selected in Step ⑫

⑮

Del all unlock Passwords ?
↵ = YES ✕ = No

Delete all unlock passwords:

Press ↵.

*To cancel the operation, press ✕ instead.

After “**Installer PWD**” is selected in Step ⑫

⑬

Installer PWD
New : * _ _ _ _ _ _ _ _

Change installer password:

Enter a new 8-digit installer password and then press Δ .

6.2.4 Resident settings

After “**Resident**” is selected in Step ⑦

⑭

Resident
➡ Add Resident Edit Apt. No. Edit Name

Press \wedge or \vee to select an item and then press Δ .

After “**Add Resident**” is selected in Step ⑬

⑮

Add Resident
Apt. No. : _ _ _ _ Resident : _____ _____

Add resident:

- Enter an apartment number.
- Enter the resident’s name.(optional)
- Press Δ .

After “**Edit Apt. No.**” is selected in Step ⑬

⑯

Edit Apt.No.
Old No. : 803 New No. : _ _ _ _

Edit apartment number:

- Press \wedge or \vee to select an old apartment number; or press \times to delete it and enter a number (press Δ if the number entered contains less than 6 digits).
- Enter a new number.
- Press Δ .

After “**Edit Name**” is selected in Step ⑬

⑰

Edit Name
Apt. No. : 806 Resident: Andy_____

Edit resident’s name:

- Press \wedge or \vee to select an apartment; or press \times to delete the name (if available) and number, and then enter a new one (press Δ if the number entered contains less than 6 digits).
- Press \times to remove the name (if available) and then enter a new one.
- Press Δ .

After “**Del Resident**” is selected in Step ⑰

⑳

Del Resident
Apt. No. : 801
Resident:
Jones

Delete resident:

- Press \wedge or \vee to select an apartment; or press \times to delete the number and enter a new one (press \blacktriangleleft if the number entered contains less than 6 digits).
- Press \blacktriangleleft .

***Deleting a resident will also delete the apartment number as well as card(s) and unlock password attached to it.**

After “**Speed Dial**” is selected in Step ⑰

㉑

Speed Dial
Key: _
Apt.No.: _ _ _ _ _

Assign a speed dial number for an apartment:

- Enter a speed dial number (0~9) and then the apartment number.
- Press \blacktriangleleft .

After “**Empty**” is selected in Step ⑰

㉒

Delete all ?
 \blacktriangleleft = YES \times = No

Delete all residents:

Press \blacktriangleleft . To cancel the operation, press \times instead.

***Deleting residents will also delete the apartment numbers as well as card(s) and unlock password attached to them.**

6.2.5 Lock settings

After “**Lock**” is selected in Step ⑦

㉓

Lock Type
 \blacktriangleright fail-secure
fail-safe

Set lock type:

Press \wedge or \vee to locate a lock type and then press \blacktriangleleft .

㉔

Unlock Time
 \blacktriangleright 0.3s
3s
6s

Set unlock time:

Press \wedge or \vee to locate an option (0.3s/3s/6s/9s) and then press \blacktriangleleft .

6.2.6 Parameters settings

After “**Parameters**” is selected in Step (7)

(26)

Parameters
➔ Apt.No.Length
Apt.No.Prefix
Saving Mode

Press \wedge or \vee to select an item and then press \triangleleft .

After “**Apt.No.Length**” is selected in Step (26)

(27)

Apt.No.Length
➔ 2
3
4

Set the length of apartment number:
Press \wedge or \vee to locate an option and then press \triangleleft .

After “**Apt.No.Prefix**” is selected in Step (26)

(28)

Apt.No.Prefix
➔ Null
*
#

Set apartment number prefix:
Press \wedge or \vee to locate an option and then press \triangleleft .

After “**Saving Mode**” is selected in Step (26)

(29)

Saving Mode
➔ ON
OFF

Activate/deactivate saving mode:
Press \wedge or \vee to locate “**ON**”/ “**OFF**” and then press \triangleleft .

***Saving mode activated:** the keypad backlight and screen will not illuminate unless someone approaches the device.

Saving mode deactivated: the keypad backlight and screen illuminates all the time.

6.2.7 System information

After “**System Info**” is selected in Step ⑦

③①

System Info	View the system information.
Version: V1.0 Card: 0020/1500 PWD:015/500	^ / v : Page Up/Page Down ↵ / ✕ / ↶ : Exit

Note:

“Version: V1.0”: version number of the device

“Card: 0020/1500”: quantity of cards added/capacity

“PWD:015/500”: quantity of unlock passwords added/capacity

“Apt. No. : 3 digits”: length of apartment number

“Apt. :015/500”: quantity of apartments added/capacity

6.2.8 Restore factory settings

After “**Restore**” is selected in Step ⑦

③①

Restore factory settings ?	Press ↵ to restore factory settings; or press ✕ to cancel the operation.
↵ = YES ✕ = No	* After restoring the factory settings, the device will restart automatically.

7. DIMENSIONS & INSTALLATION

unit: mm

Secondary Entry Station

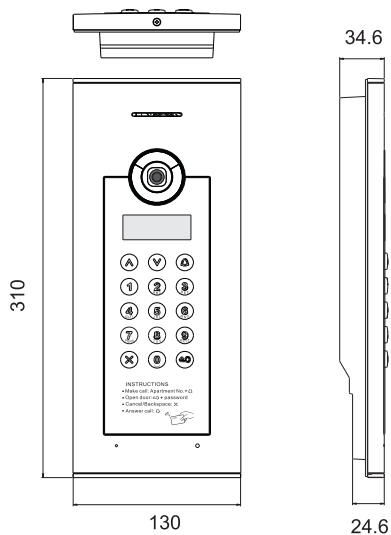


Fig. 7

Embedded box

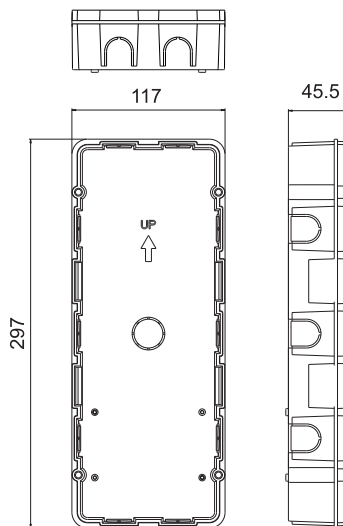


Fig. 8

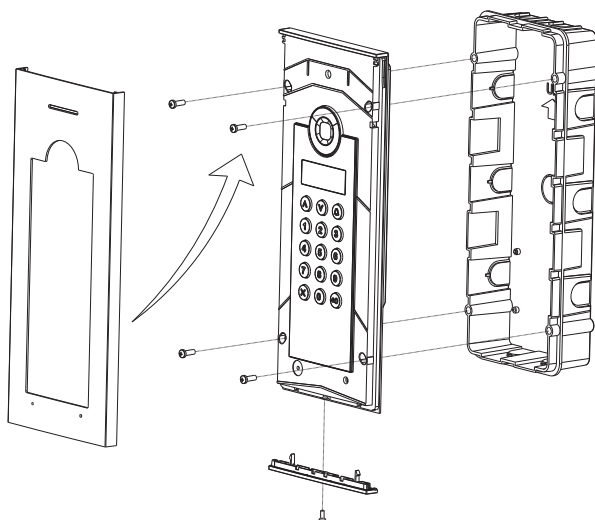
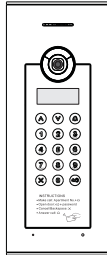







Fig. 9

8. PACKING LIST



Secondary Entry Station
A4-TA6VKC 1

-  User Manual 1
-  ID Card 1
-  2P Connector 6
-  Screw 4
-  Wrench 1

9. APPENDIX

Keypad

